

CARE AND MAINTENANCE:

Before using, clean the cooler completely with a soft dry towel, take off the lid and put drinks and ice into the cooler.
Drain away all the water in the cooler, clean and dry the cooler completely with a soft towel after use.
Indoor storage preferred while not in use.

Owner's Manual

CONTACT US

Questions? Need parts?

We are here to help!

Permasteel Customer Service

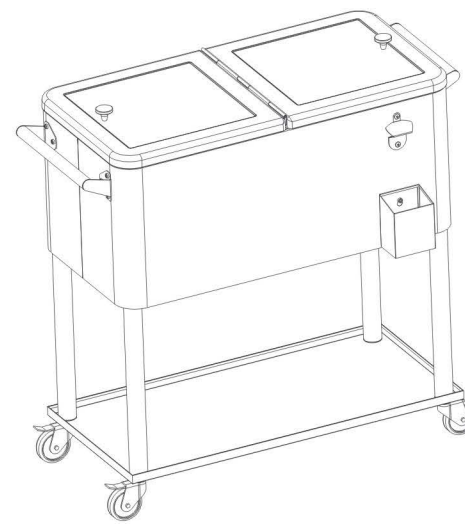
Tel: 909-287-0730

Fax: 909-287-0733

Email: service@permasteel.net

Monday-Friday

8:00am-5:00pm (Pacific Standard Time)

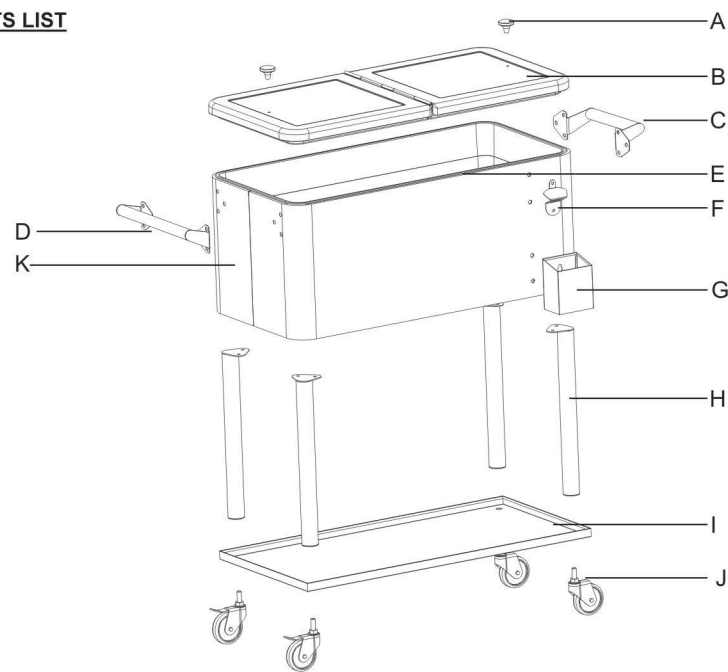


80QT PATIO COOLER
MODEL# PS-206-SS 2

IMPORTANT

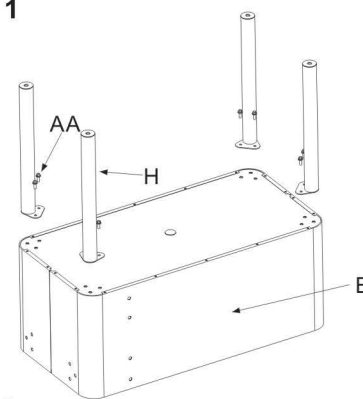
Please take time to read these instructions thoroughly and follow each step carefully for safe and easy operation. Keep this manual for future reference.

PARTS LIST



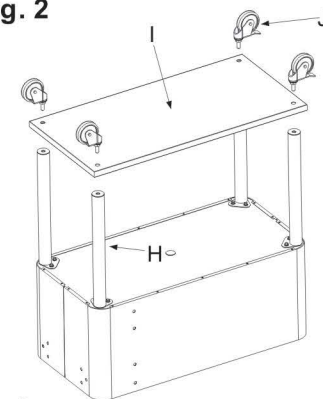
Item	Description	Qty
A	Lid handle	2
B	Lid	1
C	Short Body handle	1
D	Long Body handle	1
E	Body	1
F	Bottle Opener	1
G	Bottle Cap Catcher	1
H	Leg	4
I	Bottom Shelf	1
J	Wheels (2With Brake, 2Without Brake)	4
K	Water Drain Plug Assembly	1
AA	M6X16 Hex Bolt	8
BB	M6X16 Hex Socket Bolt	14
CC	M6X16 Shoulder Bolt	2
DD	M5X35 Screw	2

Fig. 1



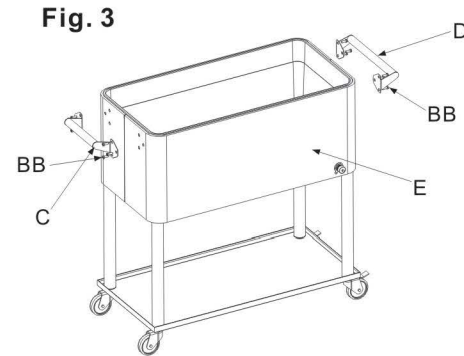
Step 1: Connect 4 Legs (H) with Body (E) by bolt (AA) .

Fig. 2



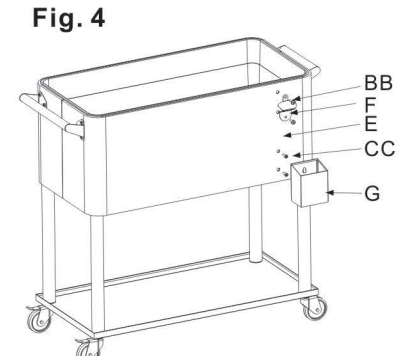
Step 2: Connect 4 Legs(H)and Bottom Shelf (I).Then connect 4 Wheels (J)and legs(H).(Do not fully tighten the bolts now).

Fig. 3



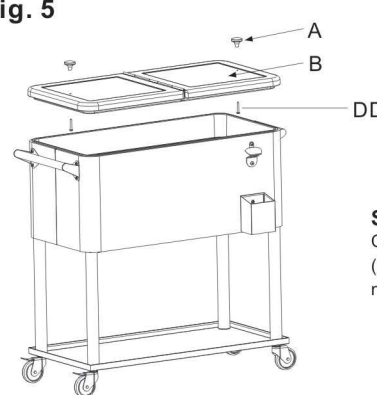
Step 3: Connect 2 Body Handles(C&D)and Body (E)by Bolt(BB)(Pre-assembled on E).Then fully tighten.

Fig. 4



Step 4: Connect Bottle Opener(F) and body (E) by Bolt (BB) and fully tighten. Insert Bottle Cap Catcher (G) with Bolt (CC) pre-installed on Body (E).

Fig. 5



Step 5: Connect Lid Handle(A) and Lid (B) by Screw (DD) (Preassembled on B).Then fully tighten. Your cooler is now reach for use.