

210.00 mm



Owner's Manual
CONTACT US

Questions? Need parts?
We are here to help!

Permasteel Customer Service
Tel: 909-287-0730
Fax: 909-287-0733
Email: service@permasteel.net

Monday-Friday
8:00am-5:00pm (Pacific Standard Time)

Owner's Manual



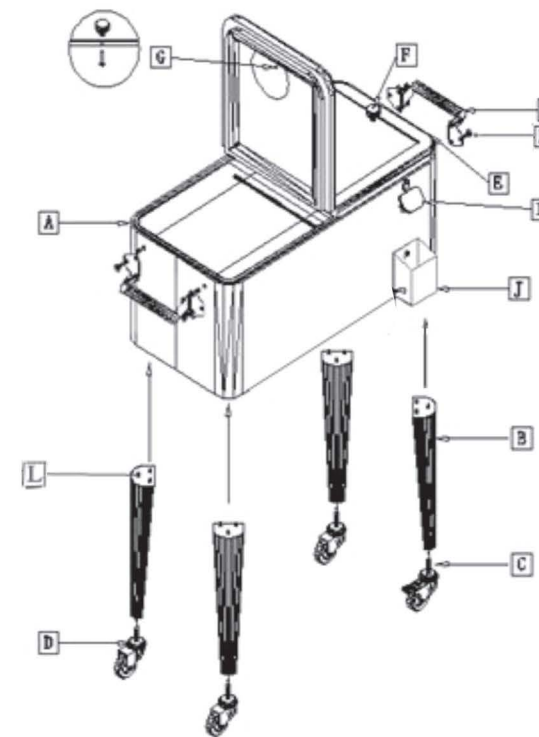
STEEL 80QT COOLER
MODEL#PS-203-PEPSI

ASSEMBLY INSTRUCTIONS:

TOOLS REQUIRED:

- #2 Phillips screwdriver
- Allen wrench

Please read the cooler manual carefully and assemble according to following steps.



Item	Description	Qty
A	Main Basin	1
B	Legs	4
C	Caster with brake	2
D	Caster	2
E	Lid	2
F	Lid Handle	2
G	M5*40Screw	2
H	Handle	2
I	Bottle Opener	1
J	Bottle-cap Catcher	1
K	M6*16 bolt	12
L	M6* 12 Allen Bolt	14

1. Please make sure all parts are accounted for before beginning assembly.
2. Place main basin (part A) upside down on clean soft surface. Attach each leg & wheel assembly (parts B,C &D) onto main basin using 3pcs truss screws for each leg.
3. Turn over entire assembly and press caster brake level to lock casters. Attach left & right handles (part H) to main basin using 12 pcs truss screws. Tighten with wrench.
4. Attach bottlecap catcher (J) to main basin by sliding it down over 2 pre-installed bolts.
5. Attach bottle opener (part I) to main basin using 2pcs M6* 12 Allen Bolt . Tighten with a Phillips screwdriver.
6. Attach 2pcs lid handles (part F) to cooler lid by using 2pcs 5/32 X1/2" screws (part G). Tighten with a Phillips screwdriver.
7. Clean inside of cooler completely with soft dry towel. Place cooler lid (Part E) on top of main basin (A). Your cooler is now ready for use.

CARE AND MAINTENANCE:

Before using, clean the cooler completely with a soft dry towel, take off the lid and put drinks and ice into the cooler.
Drain away all the water in the cooler, clean and dry the cooler completely with a soft towel after use.
Indoor storage preferred while not in use.

PEPSI is a trademark of PepsiCo, Inc. Used under license ©2014 PepsiCo, Inc.

285.00 mm