

CARE AND MAINTENANCE:

Before using, clean the cooler completely with a soft dry towel, take off the lid and put drinks and ice into the cooler.
Drain away all the water in the cooler, clean and dry the cooler completely with a soft towel after use.
Indoor storage preferred while not in use.

Owner's Manual

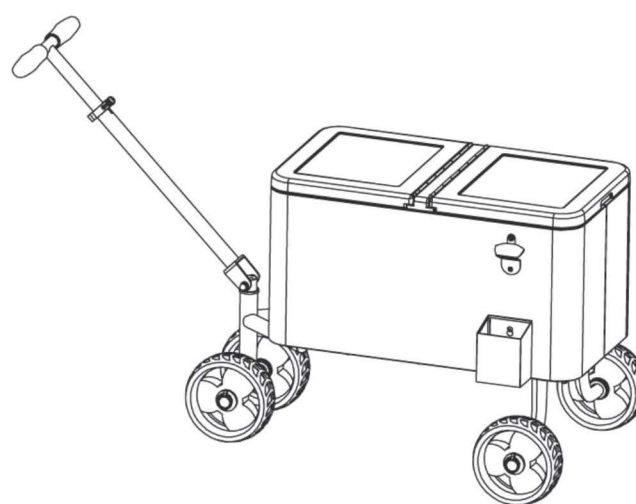
CONTACT US

Questions? Need parts?
We are here to help!

Permasteel Customer Service
Tel: 909-287-0730
Fax: 909-287-0733
Email: service@permasteel.net

Monday-Friday
8:00am-5:00pm (Pacific Standard Time)

Owner's Manual



STEEL 60QT COOLER
MODEL#PS-204-60QT

OWNERS MANUAL

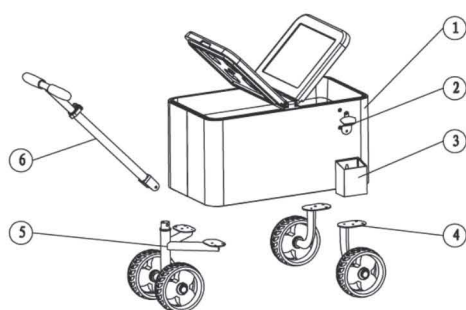
Model PS-204-60QT

Please do not return this product to place of purchase. For technical assistance on assembly or replacement parts, call PERMASTEEL INC.

Toll free at 888-287-0735

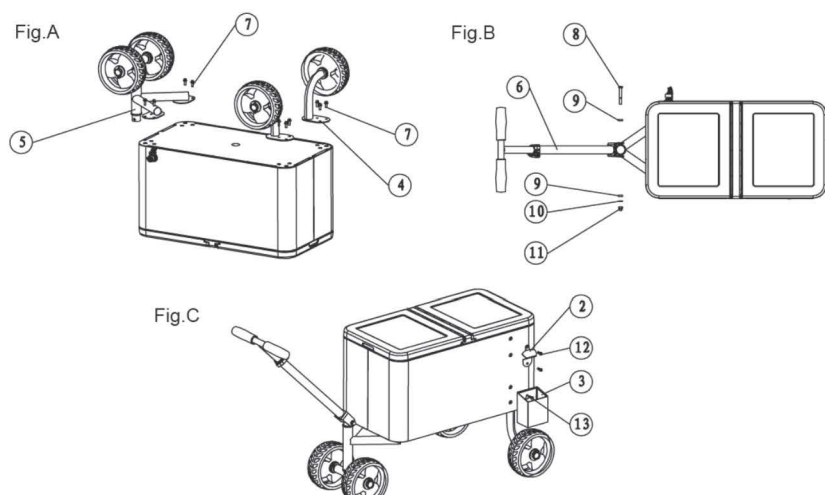
8:00am to 5:00pm PST Monday to Friday; or for expedited replacement parts order, fax the attached completed part replacement form to 909-287-0733; or email service@permasteel.net for assistance.

PARTS LIST



item	Description	Qty
1	Lid and Main Body Assembly	1
2	Bottle Opener	1
3	Bottle Cap Catcher	1
4	Rear Wheel	2
5	Front Wheel Assembly	1
6	Cart Handle	1
7	M6X16 HEX BOLT	10
8	M8X50 HEX BOLT	1
9	RUBBER INSERT	2
10	M8 FLAT WASHER	1
11	M8 ACORN NUT	1
12	M6X16 ALLEN BOLT	2
13	M6X16 SHANK BOLT	2

Note: part 13 (M6X16 shank bolt) is pre-attached to part 1 lid & body assembly



TOOLS REQUIRED : 10mm wrench or adjustable wrench

ASSEMBLY INSTRUCTIONS

1. Please make sure all parts are accounted for before beginning assembly.
2. Fig A: Place main body up-side down on clean soft surface attach rear wheels (part 4) and front wheel assembly (part 5) using 10pcs M6X16 Hex bolt (part 7)
3. Fig B: Turn over entire assembly right side-up attach cart handle (part 6) to front wheel assembly (part 5) using parts #8 - #11
4. Fig C: Attach bottle opener (part 2) to main body & lid assembly (part 1) using 2pcs. M6X16 bolts (part 12)
5. Fig C: Attach bottle cap catcher (part 3) to main body & lid assembly (part 1) by sliding down on 2 M6X16 preinstalled shank bolts (part 13)
6. Clean inside of cooler completely with soft dry towel, your cooler is now ready to use.